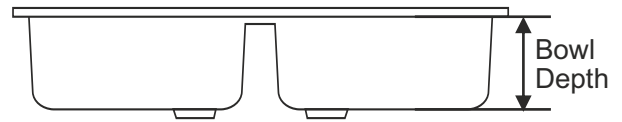
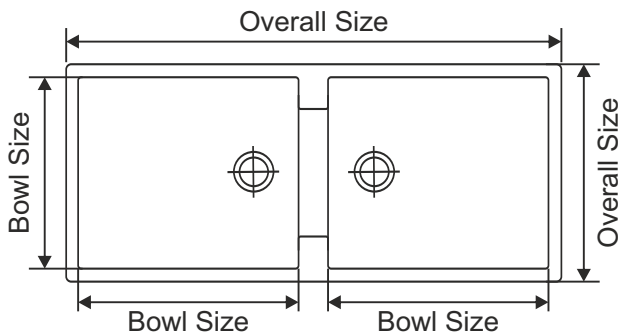


Nicolo LV-2



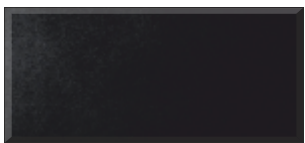
Overall Size

1140 mm x 500 mm
 45 inch x 19.68 inch

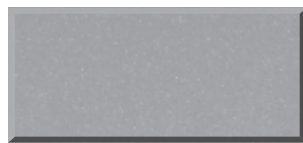
Bowl Size

505 x 440 x 238 mm
 19.88 x 17.32 x 9.37 inch

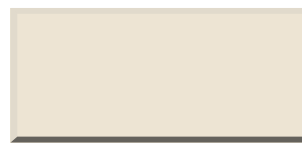
Colours Available



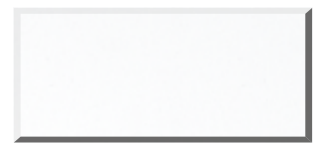
Metallic Black



Grey



Cornflakes



White

This range of imported composite sinks are made out of granite, ultra-granite and quartz compound material of ICI. These of composite sinks are sturdy, strong and stain resistant with immaculate glossy granite finish. This range contains a single bowl, double bowl, with or without a drainboard to have variety to choose from.

Quartz Range Features

- Made from granite, ultra-granite and quartz compound material
- Optimum hygiene protection (dirt simply runs off)
- Robust and easy to clean
- Naturally antibacterial
- Food safe